

## U-485 USB Installation and User Manual

### Software Installation:

- Support Windows 2000/XP/2000, MAC OS-9/X, Linus 2.40 or above
- USB V.1.1 and USB 2.0
- USB supply power for the converter
- UART 300bps~1Mbps, auto tuning
- UART data: 5,6,7,8 bits
- UART data position: odd/even, mark, blank, no parity
- UART data stop position: 1, 1.5, 2 bits

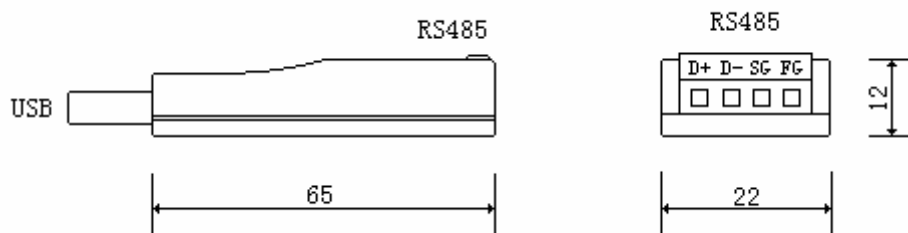
### Installation of USB Converter:

- 1) Insert the Drive CD-Rom into the CD-Rom Drive
- 2) Plug in the converter into your computer's USB port
- 3) Your computer system will ask you for this device's driver location. Please point the location of the driver file as the CD-Rom
- 4) Computer system will update the driver list and install the USB converter automatically. This will create a virtual com port on your PC. When USB converter is connected to computer, the USB port is there.
- 5) To check if the USB converter is installed successfully or not, please follow the next step.
  - 1) go to your computer's Control Panel
  - 2) click on System
  - 3) click on Hardware
  - 4) click on Device Manager
  - 5) click on Ports (COM & LPT)
  - 6) while there, unplug the USB device you just installed. If a Comp Port disappear under the Port (COM & LPT), then you installed the USB converter successfully. Make sure to note which COM # is the USB converter.

### Uninstall the USB Converter:

- 1) unplug the USB converter from the computer
- 2) got to Add and Remove Software panel from your Control panel. Choose "USB Serial Converter Drivers" and click on Remove.

## Hardware Installation:



RS485 wiring instruction

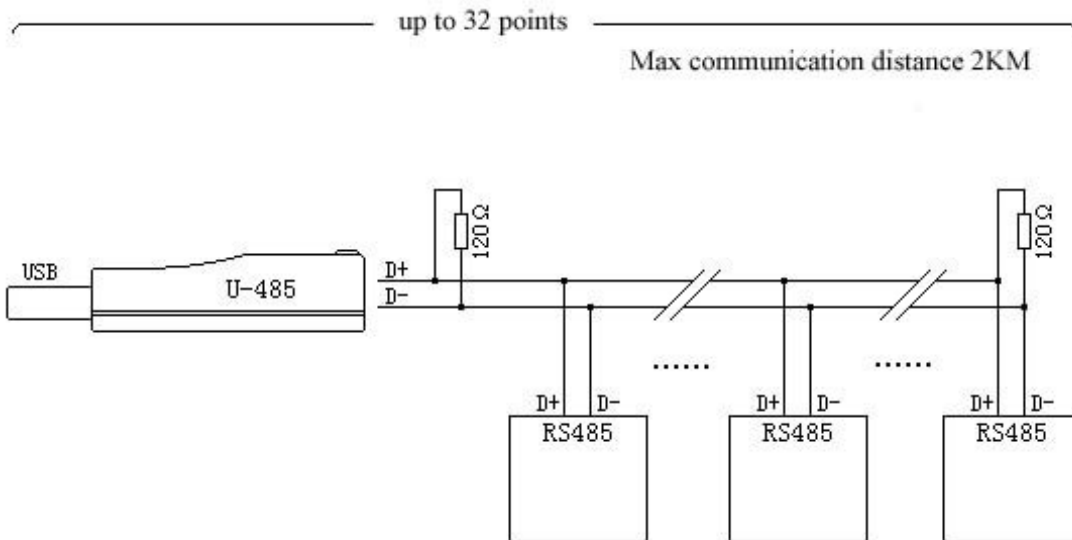
Signal	Wiring
D+	RS485 signal +
D-	RS485 signal -
SG	RS485 ground
FG	Connect to the ground

### Major Specification:

- 1) USB port provide power, no need other power supply
- 2) Output is 2 wire half duplex RS485 connection
- 3) Wire should be more then 0.5mm in diameter
- 4) Max communication distance is 3000M(4800bps), 2000M(9600bps), 1000M(115.2Kbps)
- 5) Max communication network is 32 points
- 6) Communication speed is 300bps~1Mbps
- 7) Support UART: Data position 5,6,7,8. Stop Position: 1,1.5,2. Comparison Postion: odd/even/mark/blank/no parity
- 8) Surge protection: Can with stand up to 600W voltage surge, protection from static voltage and thunder
- 9) Installation method: 35mm standard din rail
- 10) Working temperature: -20 to 70C
- 11) Size: 65X22X12mm

### Converter Application:

U-485 can be used in point to point or to multiple point network. Beside can connection to other RS-485 connection, it can also connection up to 32 PC's USB converter to make a RS-485 network. Communication distance between PC can be up to 3000M(4800bps), 2000M(9600bps).



When communication distance longer than 50 meters, need to add 120 ohm terminating resistor on each end

Notes:

- 1) For wiring, wire diameter should be more than 0.5mm or above, should have at least 120 ohm resistance.
- 2) The length of the cable from point to point should not be longer than 15M.
- 3) When using U-485 and other RS485 connection, pls make sure the last RS485 device use a 120 ohm terminating resistor and two 1K resistor. Please see the below picture.

